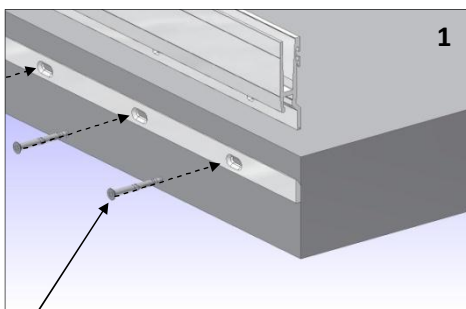
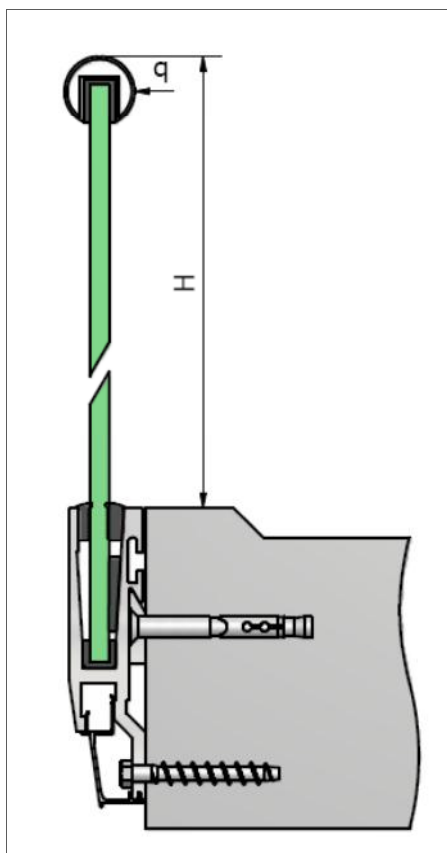
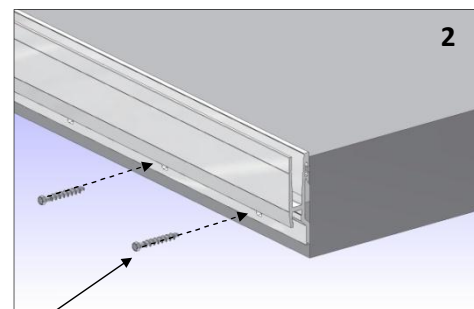


Montagehandleiding

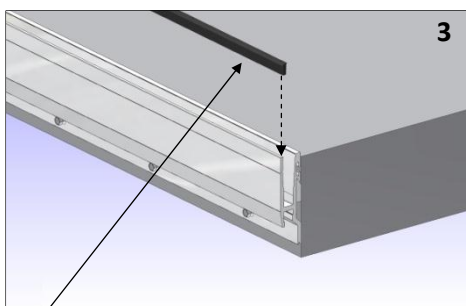
A



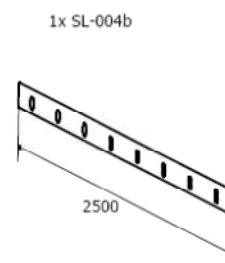
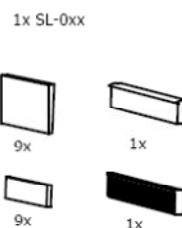
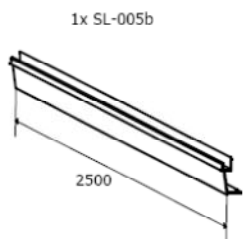
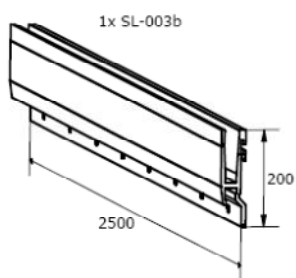
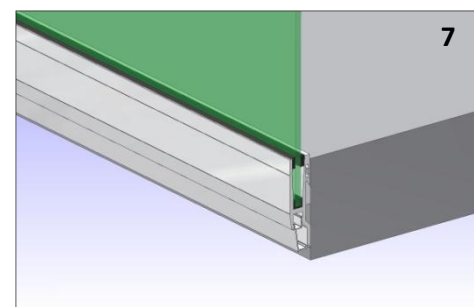
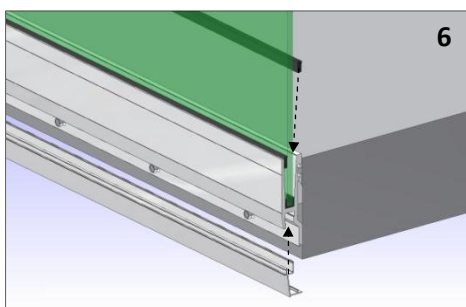
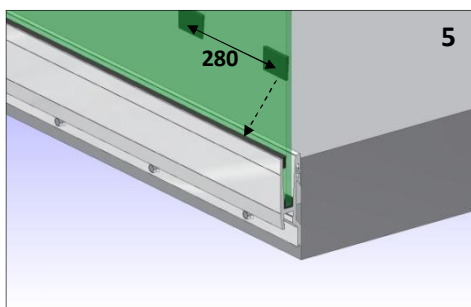
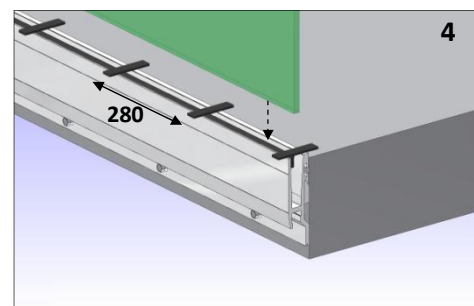
$q = 0,8 \text{ kN/m} \rightarrow 8x$



$q = 0,8 \text{ kN/m} \rightarrow 4x$



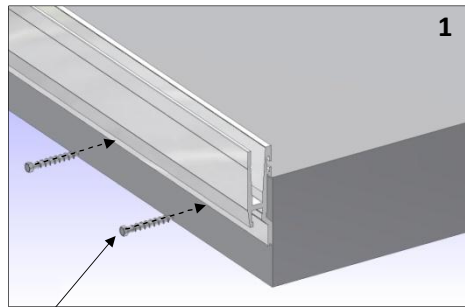
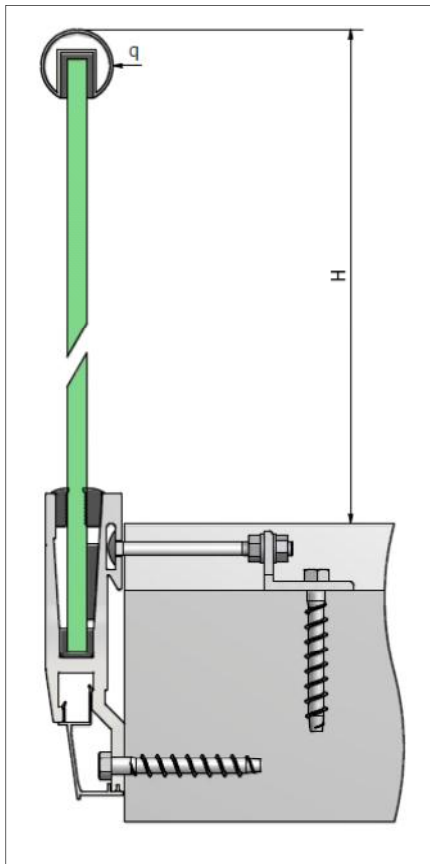
Kleefrubber



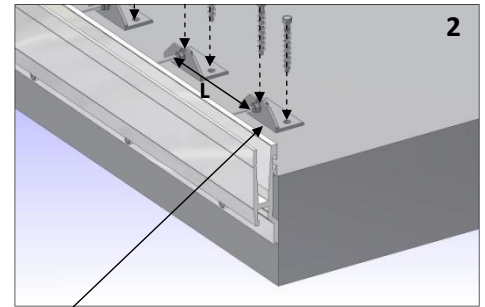
Glass	Set	Max. H ($q=0,8 \text{ kN/m}$) Montage A / B	Max. H ($q=3,0 \text{ kN/m}$) Montage B
12,75 mm (6 ESG-0.76 PVB-6 ESG)	SL-039	1000 mm	-
13,52 mm (6 ESG-1.52 PVB-6 ESG)	SL-039	1000 mm	-
16,76 mm (8 ESG-0.76 PVB-8 ESG)	SL-040	1200 mm	-
17,52 mm (8 ESG-1.52 PVB-8 ESG)	SL-040	1200 mm	-
20,76 mm (10 ESG-0.76 PVB-10 ESG)	SL-041	1200 mm	1000 mm
21,52 mm (10 ESG-1.52 PVB-10 ESG)	SL-041	1200 mm	1000 mm

Montagehandleiding

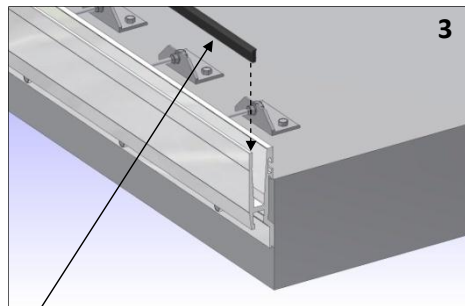
B



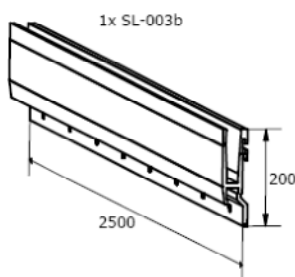
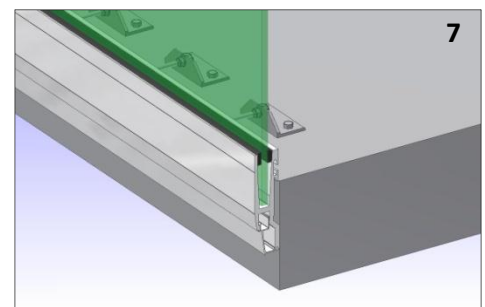
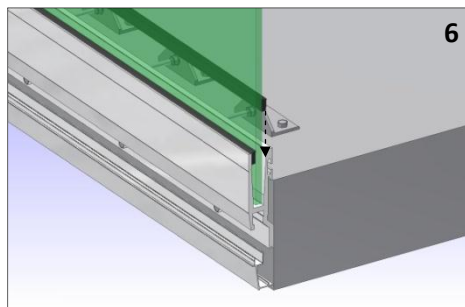
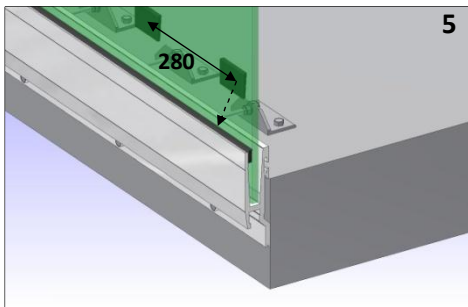
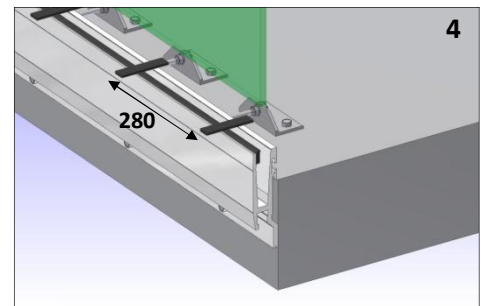
q = 0,8 kN/m -> 4x
q = 3,0 kN/m -> 8x



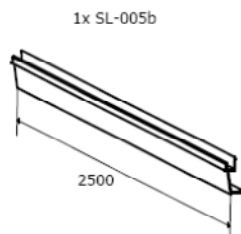
q = 0,8 kN/m -> 4x L=625 mm
q = 3,0 kN/m -> 10x L=250 mm



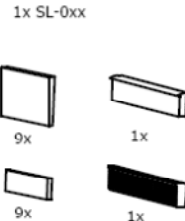
Kleefrubber



1x SL-003b



1x SL-005b



1x SL-0xx



SL-042

q = 0,8 kN -> 4x
q = 3,0 kN -> 10x

Glass	Set	Max. H (q=0,8 kN/m) Montage A / B	Max. H (q=3,0 kN/m) Montage B
12,75 mm (6 ESG-0.76 PVB-6 ESG)	SL-039	1000 mm	-
13,52 mm (6 ESG-1.52 PVB-6 ESG)	SL-039	1000 mm	-
16,76 mm (8 ESG-0.76 PVB-8 ESG)	SL-040	1200 mm	-
17,52 mm (8 ESG-1.52 PVB-8 ESG)	SL-040	1200 mm	-
20,76 mm (10 ESG-0.76 PVB-10 ESG)	SL-041	1200 mm	1000 mm
21,52 mm (10 ESG-1.52 PVB-10 ESG)	SL-041	1200 mm	1000 mm